

# The Versatile P.O.S. 15" TFT LCD Color Monitor

**TVS**  
VIDEO SOLUTION PROVIDER  
SINCE 1983



**Brilliant Black and OA White**  
Two Colors Optional



**Cable management**  
(for touch version only)



**Stand Base With Tilt  
90° Adjustment**



**Card Reader  
Version**



**VESA Wall Mounting**  
Meet VESA Standard (75x75mm)  
With Mounting Plate Specification.



**"i-touch" Auto Adjustment**  
The Intelligent One Touch Key, Automatically Set  
Your Monitor to Optimal Position.

Features:

- ▶ Full 15" viewable display  
crisp image
- ▶ On screen display easy to  
use
- ▶ Auto scaling function simply  
" i-touch "
- ▶ Stand base design for different  
viewing angles
- ▶ Ideal for POS/Kiosk users and  
windows application
- ▶ Power consumption 27W/3W DPMS
- ▶ State-of-the-art design
- ▶ Touch version availability
- ▶ Card reader version availability
- ▶ Anti-reflection strengthen glass availability
- ▶ Cable management for neat installation  
( Touch version only )



ISO 9001  
ISO 14001



# The Versatile P.O.S. 15" TFT LCD Color Monitor



### Stand Base (0°~ 90°)

Standard Plate With Patent Tilt Adjustment 0°~ 90° is  
Designed for Different Viewing Angles of Various Applications.  
Ideal for Touch Screen Operation

MODEL		LP-15Rxx
Panel *	Viewing Area	15"
	Resolution	1024(H) x 768(V) XGA
	Color	16.2M
	Viewing Angle	Horizontal: 140° & Vertical: 130°
	Response Time Tr+Tf	2+6 ms
	Contrast Ratio	500 : 1
	Brightness	250 cd/m <sup>2</sup> (195 cd/m <sup>2</sup> with Touch)
Video Input	VGA Signal	R/G/B Analog VGA
	Scan Frequencies	H: 31.5K ~ 60KHz
		V: 56 ~ 75 Hz
Control	Power	On / Off with LED Indicator
	OSD	OSD Control with "i-touch" auto scaling
Power Adaptor	Input	AC Input 100 ~ 240 V, 50 / 60 Hz
	Output	DC +12 V
Power	Management	VESA DPMS Standard
	Consumption	27W / Stand by 3W
Environment	Temperature	0°C ~ 40°C
	Humidity	10% ~ 85% (20%~85% for MSR)
Safety & EMI		FCC-B, ETL, ETLIC, CE, CCC
Applications		POS, Banking, ATM, IPC, TML, Web IA, Mini PC, ...etc
Optional		
	Touch Panel	Resistive (4 or 5 Wires) / USB or RS-232 interface
	Glass	Anti-Reflection Strengthen Glass
	Card Reader	300,000 Pass
	Cabinet Color	White or Black

### Optional



Touch Screen



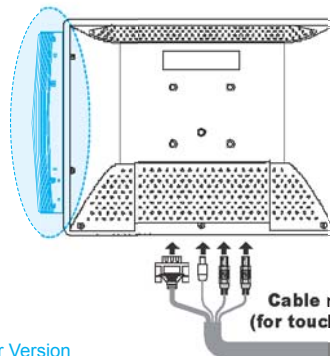
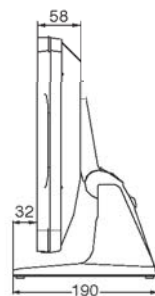
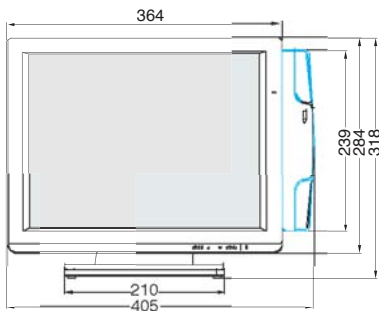
Anti-Reflection  
Strengthen Glass



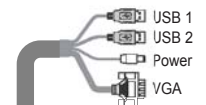
Card Reader Version

\* Panel Spec. depends on MFC

Unit:mm



Cable management  
(for touch version only)



Card Reader Version

Specification is subject to change without notice. 2008.01



### TAIWAN VIDEO SYSTEM CO., LTD.

8F-2., No.188, Sec.3, Tatung Rd., Hsi-tze,  
Taipei, Taiwan, R.O.C. 221  
Tel: 886-2-86473637 Fax: 886-2-86473627  
http://www.tvs.com.tw E-mail: info@tvs.com.tw

### TVS GROUP

USA TVSA e-mail: info@eversun.com  
Germany TVSG e-mail: info@tvs.de  
China TVSC e-mail: info@tvs.com.cn

